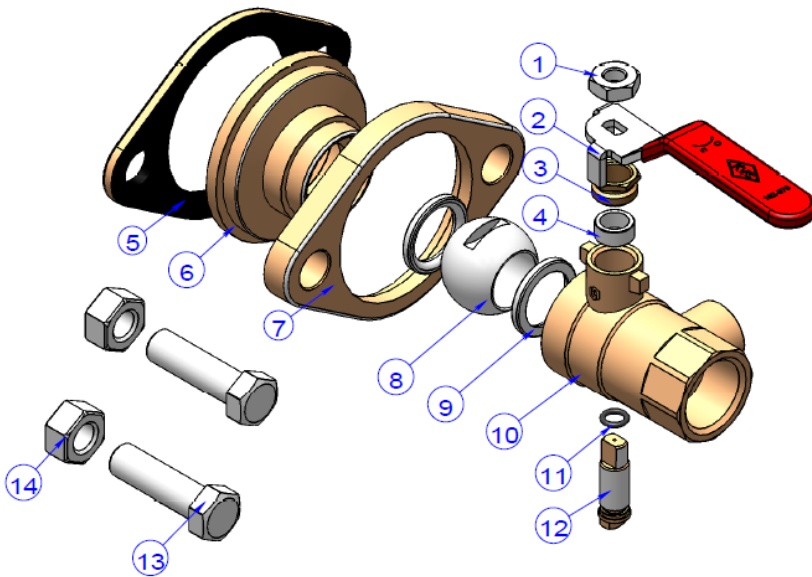


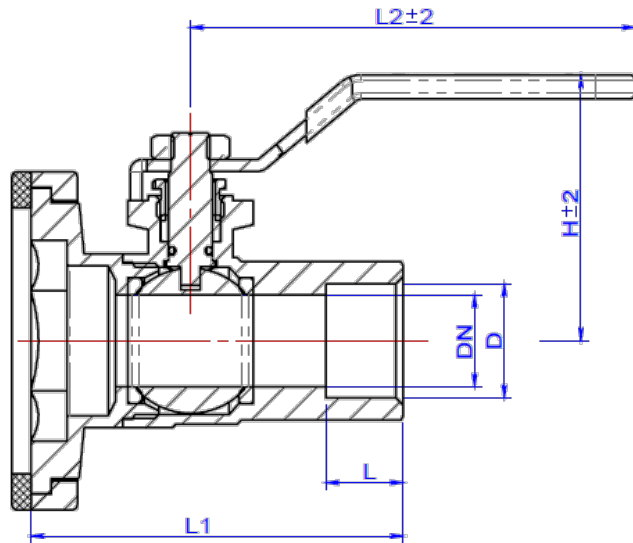
600 WOG FORGED BRASS PUMP ISOLATION VALVE



- Valves conform to: MSS SP-110
- Valves conform to: MSS SP-25
- Blow-out proof stem
- Optional "T" handle up to 1¼"
- 600 WOG rating
- Flanged Pump Connection by NPT to: ANSI B1.20.1

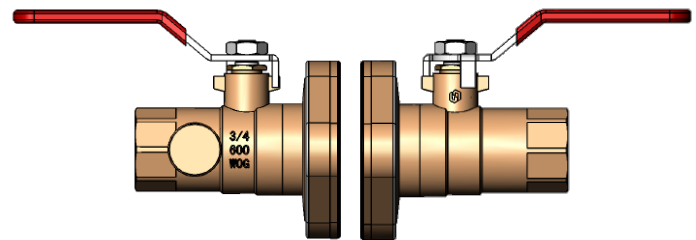
Materials:

No.	Part Name	Specification
1	Nut	Q235
2	Handle	Q235
3	Packing Nut	Brass C37700
4	Packing Gland	PTFE
5	Rubber Gasket	EPDM
6	Bonnet	HPb59-3
7	Flange	HPb59-3
8	Ball	HPb58-3
9	PTFE Seat	PTFE
10	Body	HPb59-3
11	O-Ring	EPDM
12	Stem	HPb58-3
13	Screw	Steel
14	Nut	Steel



Options:

- Wing handle
- Removable flange



Dimensions:

Size		ØDN		D	L		L1		L2		H	
in	mm	in	mm		in	mm	in	mm	in	mm	in	mm
1/2	15	0.55	14.0	½" - 14NPT	0.49	12.5	2.70	68.5	3.62	92.0	2.05	52.0
3/4	20	0.75	19.0	¾" - 14NPT	0.57	14.5	3.03	77.0	3.62	92.0	2.11	53.5
1	25	0.96	24.5	1" - 11.5NPT	0.65	16.5	3.39	86.0	4.33	110.0	2.46	62.5
1¼	32	1.18	30.0	1¼" - 11.5NPT	0.67	17.0	3.66	93.0	5.41	137.5	3.05	77.5
1½	40	1.46	37.0	1½" - 11.5NPT	0.69	17.5	4.27	108.5	5.41	137.5	3.15	80.0
2	50	1.85	47.0	2" - 11.5NPT	0.71	18.0	4.82	122.5	6.10	155.0	3.48	88.5