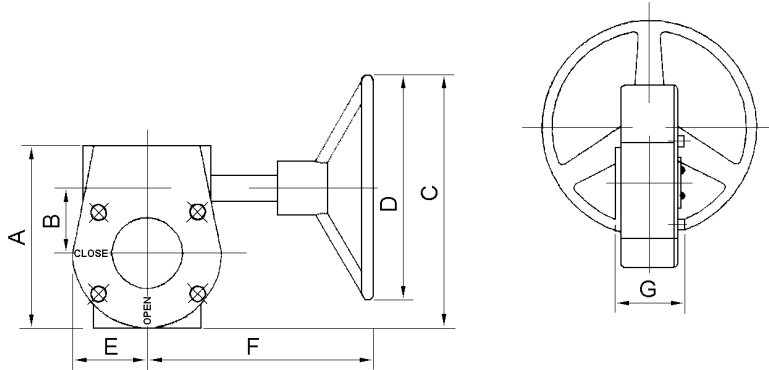


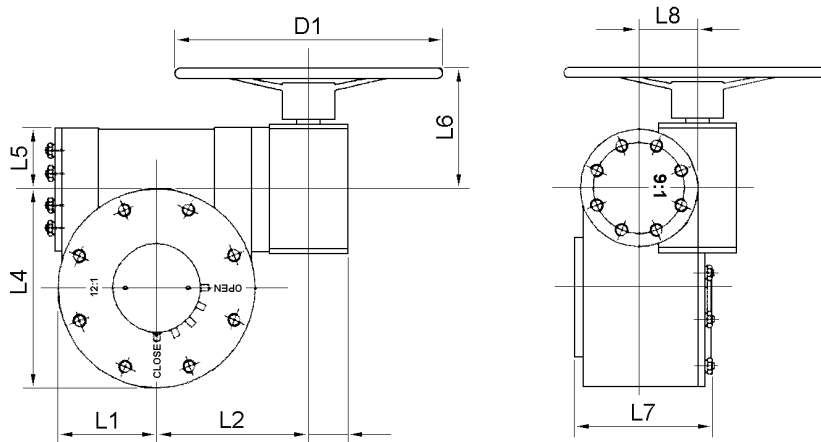
Manual Operators for the KVC 1000/2000/4000 Series Butterfly Valve

Manual Gear Operator

2" ~ 14"



16" ~ 48"



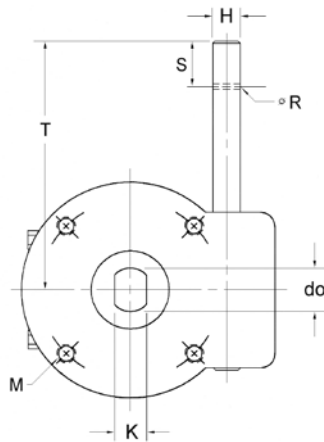
Dimensions:

Model	Size Range		A		B		C		D		E		F		G		Weight	
	in	mm	in	mm	in	mm	in	mm	in	mm	in	mm	in	mm	in	mm	lb	kg
GJ24W	1½-6	40-150	5.0	127	1.77	45	6.89	175	5.91	150	2.05	52	6.22	158	2.95	75	11	5.2
GJ30W	8	200	6.97	177	2.48	63	11.81	300	11.81	300	3.03	77	9.37	238	3.35	85	27	12.3
GJ50W	10-12	250-300	7.80	198	3.07	78	12.20	310	11.81	300	3.27	83	8.94	227	3.39	86	32	14.4
GJ80W	14-16	350-400	11.42	290	4.72	120	15.75	400	11.81	300	5.12	130	10.63	270	4.92	125	70	32.0
GJ80WA	18	450	11.42	290	4.72	120	17.72	450	15.75	400	5.12	130	11.02	280	4.92	125	75	34.3
GJ300X	20-24	500-600	12.32	313	4.72	120	16.06	408	11.81	300	5.43	138	13.31	338	6.06	154	106	48.0

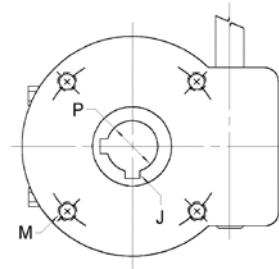
Model	Size Range		L1		L2		L3		L4		L5		L6		L7		L8		D1		Weight	
	in	mm	in	mm	in	mm	in	mm	in	mm	in	mm	in	mm	in	mm	in	mm	in	mm	lb	kg
GJ700W	28-32	700-800	5.75	146	8.98	228	2.32	59	11.61	295	3.82	97	4.13	105	6.34	161	3.46	88	15.75	400	213	97
GJ500W	36-40	900-1000	6.97	177	13.27	337	2.32	59	13.46	342	3.82	97	4.13	105	7.20	183	3.46	88	15.75	400	260	118
GJ2500W	42-48	1050-1200	9.84	250	12.36	314	2.76	70	15.91	404	4.13	105	7.80	198	9.45	240	4.96	126	17.72	450	510	232

Manual Operators for the KVC 1000/2000/4000 Series Butterfly Valve

Manual Gear Operator



2" ~ 14"



16" ~ 48"

Dimensions:

Model	Size		H	S		ØR	do		K		J (key size □)	M	P	T	
	in	mm		in	mm		in	mm	in	mm				in	mm
GJ24W	2-3	50-80	16	.79	20	5	.49	12.55	.35	8.86	-	4-M6x9	-	4.84	123
GJ24W	4	100	16	.79	20	5	.62	15.77	.43	11.1	-	4-M8x12	-	4.84	123
GJ24W	5-6	125-150	16	.79	20	5	.74	18.92	.50	12.7	-	4-M8x12	-	4.84	123
GJ30W	8	200	19	1.34	34	6	.87	22.1	.63	15.88	-	4-M10x15	-	7.64	194
GJ50W	10	250	19	1.34	34	6	1.12	28.45	.81	20.62	-	4-M10x15	-	7.64	194
GJ50W	12	300	19	1.34	34	6	1.24	31.6	.87	22.1	-	4-M12x18	-	8.23	209
GJ80W	14	350	19	1.34	34	6	1.24	31.6	.87	22.1	-	4-M12x18	-	8.23	209
GJ80W	16	400	25	1.38	35	8	-	-	-	-	10	4-M18x27	33.4	9.06	230
GJ80WA	18	450	25	1.38	35	8	-	-	-	-	10	4-M18x27	38.1	9.06	230
GJ300X	20	500	20	-	-	-	-	-	-	-	10	4-M20x30	41.2	4.88	124
GJ300X	24	600	20	-	-	-	-	-	-	-	16	4-M20x30	50.7	5.43	138
GJ700W	28	700	28	-	-	-	-	-	-	-	18	8-M16x24	63.4	6.57	167
GJ700W	30	750	28	-	-	-	-	-	-	-	18	8-M16x24	63.4	6.57	167
GJ700W	32	800	28	-	-	-	-	-	-	-	18	8-M16x24	63.4	6.57	167
GJ500W	36	900	28	-	-	-	-	-	-	-	20	8-M16x24	75	6.57	167
GJ500W	40	1000	28	-	-	-	-	-	-	-	22	8-M16x24	85	6.57	167
GJ2500W	42	1050	28	-	-	-	-	-	-	-	25	8-M20x30	92	7.24	184
GJ2500W	48	1200	28	-	-	-	-	-	-	-	28	8-M20x30	100	7.24	184