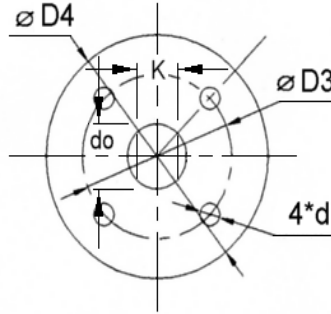


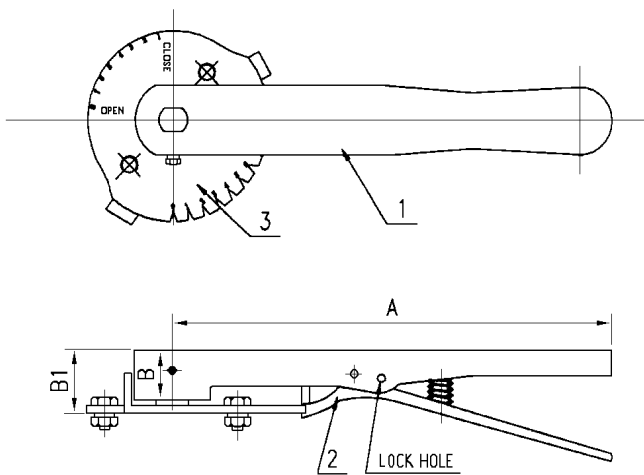
Manual Operators for the KVC 1000, 2000, 4000 Series Butterfly Valve

Lever Handle

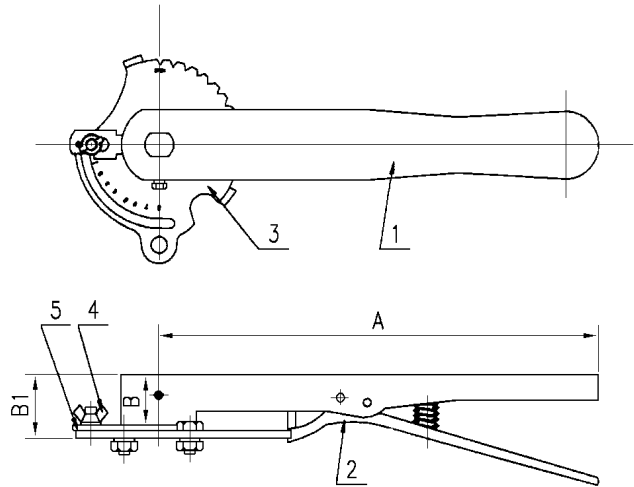


Item	Part Name
1	Handle
2	Lever
3	Notch plate
4	Locking nut
5	Throttle plate

10 Position Lever



Infinite Position Lever



Dimensions:

Size		A		B		B1		D3		D4		4*d		do	K	Weight	
in	mm	in	mm	in	mm	in	mm	in	mm	in	mm	in	mm	mm	mm	lb	kg
1½	40	10.5	266.7	1.06	27	1.37	35	2.76	70	3.54	90	.39	10	12.6±0.025	10	1.87	.85
2	50	10.5	266.7	1.06	27	1.37	35	2.76	70	3.54	90	.39	10	12.6±0.025	10	1.87	.85
2½	65	10.5	266.7	1.06	27	1.37	35	2.76	70	3.54	90	.39	10	12.6±0.025	10	1.87	.85
3	80	10.5	266.7	1.06	27	1.37	35	2.76	70	3.54	90	.39	10	12.6±0.025	10	1.87	.85
4	100	10.5	266.7	1.06	27	1.37	35	2.76	70	3.54	90	.39	10	15.77±0.025	12	1.87	.85
5	125	10.5	266.7	1.06	27	1.37	35	2.76	70	3.54	90	.39	10	18.92±0.025	14	1.87	.85
6	150	10.5	266.7	1.06	27	1.37	35	2.76	70	3.54	90	.39	10	18.92±0.025	14	1.87	.85
8	200	14.2	361	1.41	36	1.73	44	4.02	102	4.92	125	.47	12	22.10±0.025	17	4.4	2.0
10	250	19.6	499	1.41	36	1.73	44	4.02	102	4.92	125	.47	12	28.45±0.025	22	5.94	2.7
12	300	19.6	499	1.41	36	1.73	44	4.02	102	4.92	125	.47	12	31.60±0.051	24	5.94	2.7