

## CLASS 800 FORGED STEEL BOLTED BONNET GATE VALVE

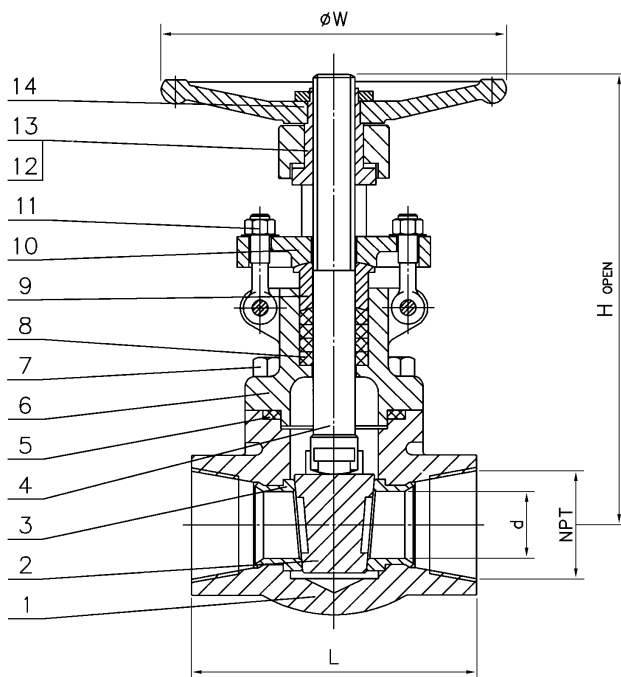
**Fig. FG-801T**



Design: API 602  
 Testing: API 598  
 Threaded ends to: ASME B1.20.1  
 Socket weld ends to: ASME B16.11

**Materials:**

No.	Part Name	Specification
1	Body	ASTM A105
2	Wedge	ASTM A276 420
3	Seat ring	ASTM A276 410
4	Stem	ASTM A276 410
5	Gasket	Graphite/304SS
6	Bonnet	ASTM A105
7	Bonnet bolt	ASTM A193 B7
8	Stem packing	Graphite
9	Gland	ASTM A276 410
10	Gland flange	ASTM A105
11	Gland eyebolt	ASTM A193 B7
12	Gland nut	ASTM A194 2H
13	Stem nut	ASTM A194 2H
14	Handwheel	A197



**Rating:**

Carbon Steel class 800 – 1975 psig @ 100°F

**Note:**

- The above figure number (FG-801T) designates threaded valve. If a socket weld end is required, change the "T" to an "S" (FG-801S).
- Other trims and body materials are available upon request.
- Rolled in seat ring.
- Regular port.

**Dimensions:**

Size		d		L		H		W		Weight	
in	mm	in	mm	in	mm	in	mm	in	mm	lb	kg
½	15	0.39	10	3.11	79	6.65	169	3.94	100	4.6	2.1
¾	20	0.54	13.6	3.62	92	7.17	182	3.94	100	5.0	2.3
1	25	0.71	18	4.37	111	8.19	208	4.92	125	8.8	4.0
1¼	32	0.94	24	4.72	120	9.25	235	6.30	160	13	5.9
1½	40	1.14	29	4.72	120	11.42	290	6.30	160	15.2	6.9
2	50	1.45	36.8	5.51	140	12.99	330	7.09	180	24.7	11.2