

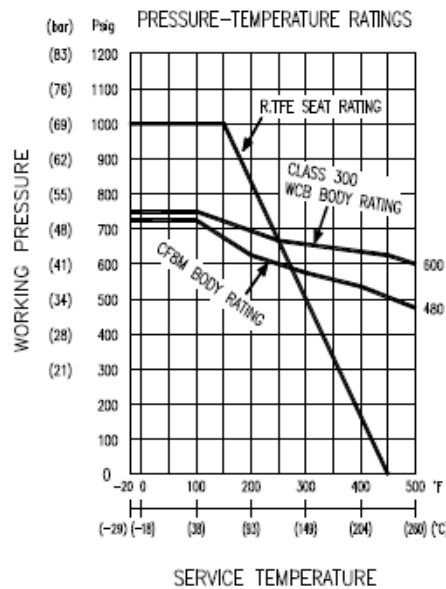
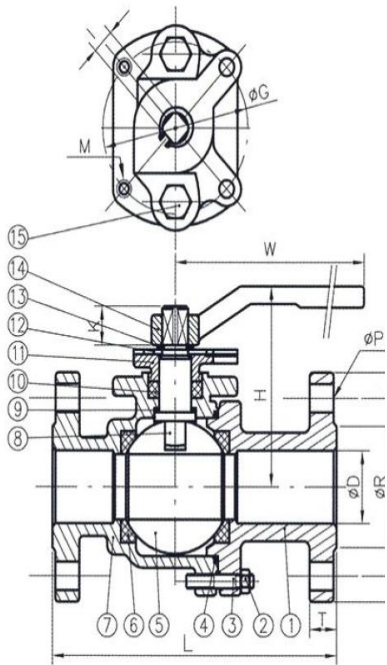
2-PIECE STAINLESS STEEL FULL PORT FLANGED BALL VALVE

Fig. S-236F

Class 300, ISO 5211 Mounting Pad, Lever handle


Features:

- Split body design with flanged ends for fast installation, in-line maintenance and rebuilding. Solid ball construction provides structural integrity and minimizes flow turbulence.
- Body join is designed to prevent excessive compression of valve internals, resulting in consistent and low operating torque.
- Mounting pad complied with ISO 5211 for ease and interchangeability of actuation
- Bottom-loaded blow-out proof stem.
- Investment cast body & cap on sizes ½" to 2". Sand cast body & cap on sizes 2½" to 10".
- Basic design complied with ASME/ANSI B16.34 & EN 12516-1
- Flanged ends complied with ASME/ANSI B16.5
- Face-to-face dimensions complied with ASME/ANSI B16.10
- Tested according to API 598 & ANSI B 16.34


Materials:

No.	Part Name	Specification
1	End Cap	ASTM A351-CF8M
2	Nut	AISI 304 / GR. 8
3	Body Joint Bolt	AISI 304 / GR. B8
4	Gasket	PTFE
5	Ball	ASTM A351-CF8M/316
6	Seat	Reinforced TFE
7	Body	ASTM A351-CF8M
8	Stem	ASTM A276-316
9	Thrust Washer	PTFE
10	Stem Packing	PTFE
11	Gland	ASTM A351-CF8
12	Handle Stopper	AISI 304
13	Snap Ring	AISI 420
14	Handle	FCD 45
15	Gland Bolt	AISI 304

Options:

- F: Fire-safe Design
- A: Anti-static Device
- V: Vented ball
- G: Equipped with gear operator
- P: Equipped with pneumatic actuator

Dimensions:

Size	Ø D		L		I		T		K		Ø G		Ø R		Ø C		Ø B		Ø P		N	M	H		W		
	in	mm	in	mm	in	mm	in	mm	in	mm	in	mm	in	mm	in	mm	in	mm	in	mm			in	mm	in	mm	
½	15	0.59	15	5.50	140	0.39	10	0.56	14.22	0.69	17.5	1.65	42	1.38	35.1	2.62	66.5	3.75	95.3	0.62	15.75	4	M5	2.48	63	5.12	130
¾	20	0.79	20	6.00	152	0.39	10	0.62	15.75	0.69	17.5	1.65	42	1.69	42.9	3.25	82.6	4.62	117.3	0.75	19.05	4	M5	2.68	68	5.12	130
1	25	1.00	25.4	6.50	165	0.47	12	0.69	17.53	0.87	22	1.97	50	2.00	50.8	3.50	88.9	4.88	124.0	0.75	19.05	4	M6	2.99	76	6.30	160
1 ½	40	1.57	40	7.50	191	0.67	17	0.81	20.57	1.10	28	2.76	70	2.88	73.2	4.50	114.3	6.12	155.4	0.88	22.35	4	M8	3.46	88	8.82	224
2	50	1.97	50	8.50	216	0.67	17	0.88	22.35	1.10	28	2.76	70	3.62	91.9	5.00	127.0	6.50	165.1	0.75	19.05	8	M8	3.70	94	8.82	224
2 ½	65	2.56	65	9.50	241	0.87	22	1.00	25.40	1.22	31	4.02	102	4.12	104.6	5.88	149.4	7.50	190.5	0.88	22.35	8	M10	4.53	115	12.76	324
3	80	3.15	80	11.12	282	0.87	22	1.12	28.45	1.22	31	4.02	102	5.00	127.0	6.62	168.1	8.25	209.6	0.88	22.35	8	M10	4.72	120	12.76	324
4	100	3.94	100	12.00	305	0.94	24	1.25	31.75	1.30	33	4.02	102	6.19	157.2	7.88	200.2	10.00	254.0	0.88	22.35	8	M10	7.68	195	15.76	400
5	125	4.92	125	15.00	381	1.06	27	1.38	35.05	1.30	33	4.92	125	7.31	185.7	9.25	235.0	11.00	279.4	0.88	22.35	8	M12	8.66	220	21.65	550
6	150	5.91	150	15.88	403	1.06	27	1.44	36.58	1.46	37	4.92	125	8.50	215.9	10.62	269.7	12.50	317.5	0.88	22.35	12	M12	9.45	240	21.65	550
8	200	7.87	200	19.75	502	1.38	35	1.62	41.15	1.57	40	5.51	140	10.62	269.7	13.00	330.2	15.00	381.0	1.00	25.40	12	M16	11.81	300	39.37	1000
10	250	9.84	250	22.38	568	1.38	35	1.88	47.75	1.57	40	5.51	140	12.75	323.9	15.25	387.4	17.50	444.5	1.12	28.45	16	M16	13.98	355	39.37	1000