

CLASS 150 BRASS Y - STRAINER

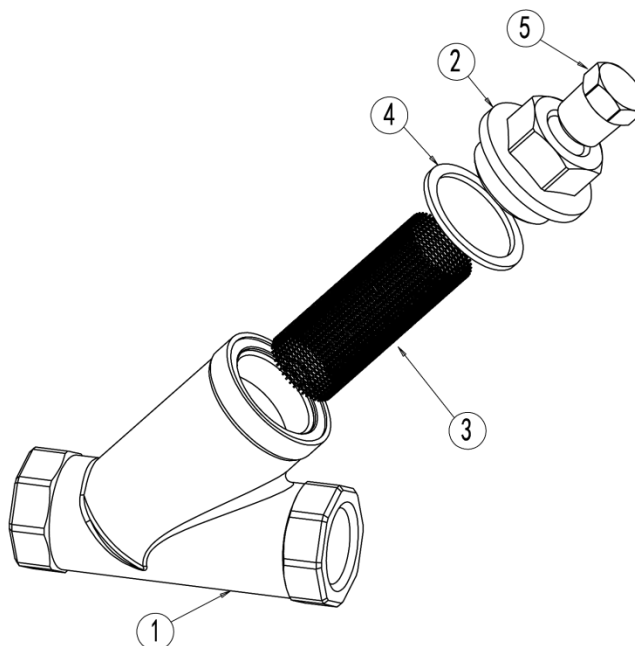
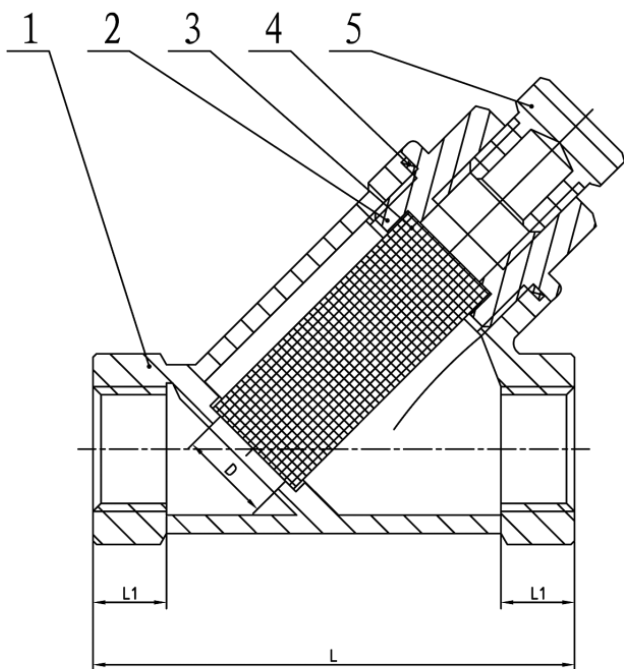
Fig. 415Y Screw-in Cap, Brass body & bonnet, Stainless Steel Strainer, NPT ends.



- Valves comply to: MSS SP-25
- Working pressure: 150 psi
- Threaded ends to: ANSI B1.20.1

Materials:

No.	Part Name	Specification
1	Body	Brass
2	Bonnet	Brass
3	Strainer	Stainless Steel
4	Spring Seal	PTFE
5	End Cap	Brass



Dimensions:

Size		D	L		L1		Weight	
in	mm		in	mm	in	mm	lbs.	kg
½	15	Ø16	3.13	79.50	0.39	10	0.64	0.30
¾	20	Ø19	3.43	87.00	0.60	15	0.89	0.40
1	25	Ø25	4.10	104.00	0.63	16	1.52	0.70
1¼	32	Ø33	1.90	124.50	0.75	19	2.51	1.15
1½	40	Ø39	5.60	142.00	0.83	21	3.22	1.45
2	50	Ø51	6.70	170.00	0.94	24	4.89	2.20